



CUSTOM ORDERING GUIDE

Rear Brake Line 3615, 3616

Custom orders cannot be returned or refunded. Please see our warranty and returns policy. Call (585) 381-8380 for more information

Name: _____

Business Name: _____

Address: _____

Phone: _____

Email: _____

Model: _____
Year: _____

Model and Year must be specified to get stock lengths

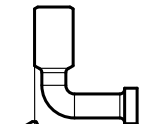
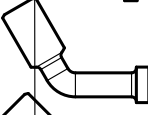
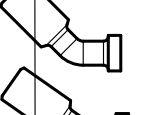
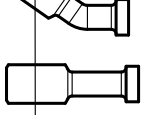
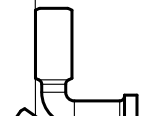
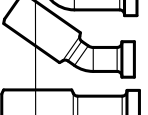
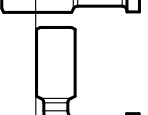
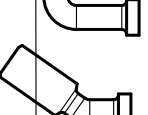
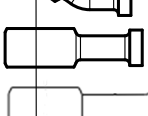



Braid Color:

- Sterling Chromite II
- Polished Stainless
- Black Pearl
- Copper Canyon
- KARBONFIBR

Fitting Plating:

- Chrome
- Black

Note:
10mm is compatible with 3/8"

- 10mm, 90° 
- 10mm, 60° 
- 10mm, 45° 
- 10mm, 35° 
- 10mm, 0° 
- 7/16", 90° 
- 7/16", 35° 
- 7/16", 0° 
- 12mm, 90° 
- 12mm, 35° 
- 12mm, 0° 
- 3/8", 0° 
- Stock Banjo

This Rear Brake Line applies to:

- 00-06 FXSTD
- 00-06 FL Softail models
- 00-05 FX Softail models
- All 2000-2007 Dyna models

